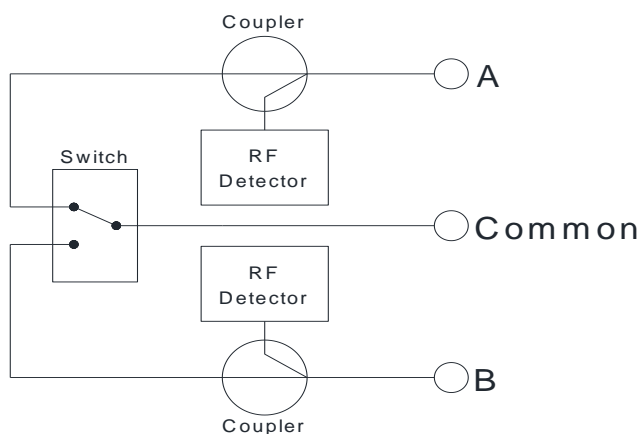


DEV 3460 - MODULO A/B Auto Sensing Switch



Features:

- ▀ Module 2.5 RU; 1 Slot
- ▀ Switch with two Input Ports and one Output Port
- ▀ RF Detector at each Input
- ▀ Manual and Automatic Switching based on RF Level
- ▀ Shielding Effectiveness ClassA+10dB



Technical Data DEV 3460

	Value	Condition
RF Specification		
Frequency Range	5...1218 MHz	
Impedance	75 Ohm	
Connectors	F (f)	
Damage Composite Input Level	135 dB μ V	
Maximum Composite Input Level	130 dB μ V	
Insertion Loss	≤ 2 dB	
Return Loss (all Ports)	≥ 20 dB ≥ 18 dB	5 ...1006 MHz 1006 ...1218 MHz
Isolation	≥ 60 dB	
Switching Time	≤ 85 ms	Note 1
RF-Detector Range	75...130 dB μ V	
CTB	≥ 75 dBc	Note 2
CSO	≥ 75 dBc	Note 2
General Specification		
Operating Voltage	24 VDC	
Power Consumption	≤ 2.0 W	
Size	0.79" (20 mm) Width, 2.5 RU (110 mm) Height, 5.91" (150 mm) Depth	
Weight	~ 0.8 kg	
Environmental Conditions	ETS 300019 Part 1-3 Class 3.1E	
Operating Temperature	0...50 °C (32...122 °F)	
Storage Temperature	-40...+70 °C (-40...+158 °F)	
Storage Humidity	5...95 %	non-condensing
Shielding Effectiveness	EN 50083-2 ClassA+10dB	

Note 1: Worst case for switching time due to interval of RF-detector capture.

Note 2: Linearity conditions CTB and CSO according to CENELEC 42, 42 analog CW carriers @ 114 dB μ V/channel

Order Information

Product	
DEV 3460	MODULO A/B Auto Sensing Switch; 5...1218 MHz; 75 Ohm, F (f); 2.5 RU

Contact

DEV Systemtechnik GmbH
 Grüner Weg 4A
 61169 Friedberg
 GERMANY
 Phone: +49 6031 6975 100
 Fax: +49 6031 6975 114
 info@dev-systemtechnik.com
 www.dev-systemtechnik.com

Rev. 30-Nov-2017

Technical specifications are subject to change